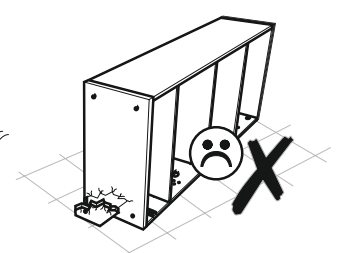
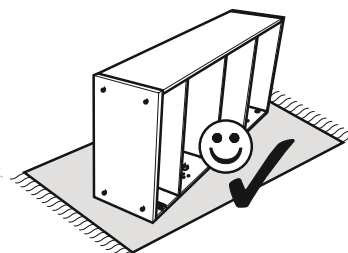
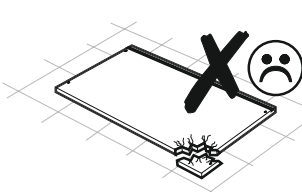
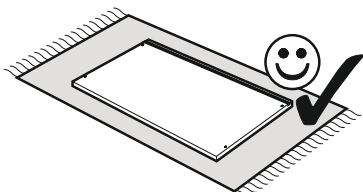
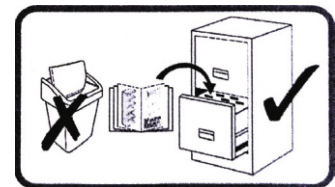
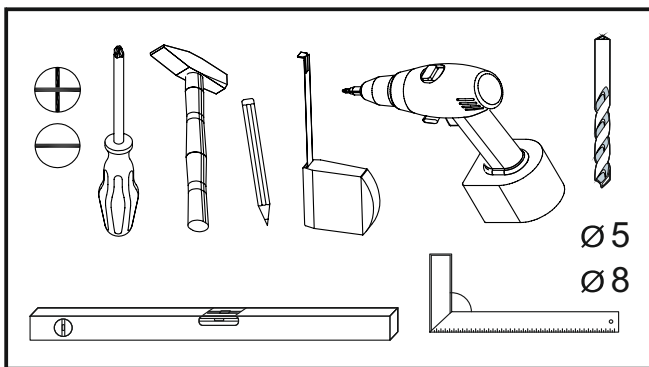
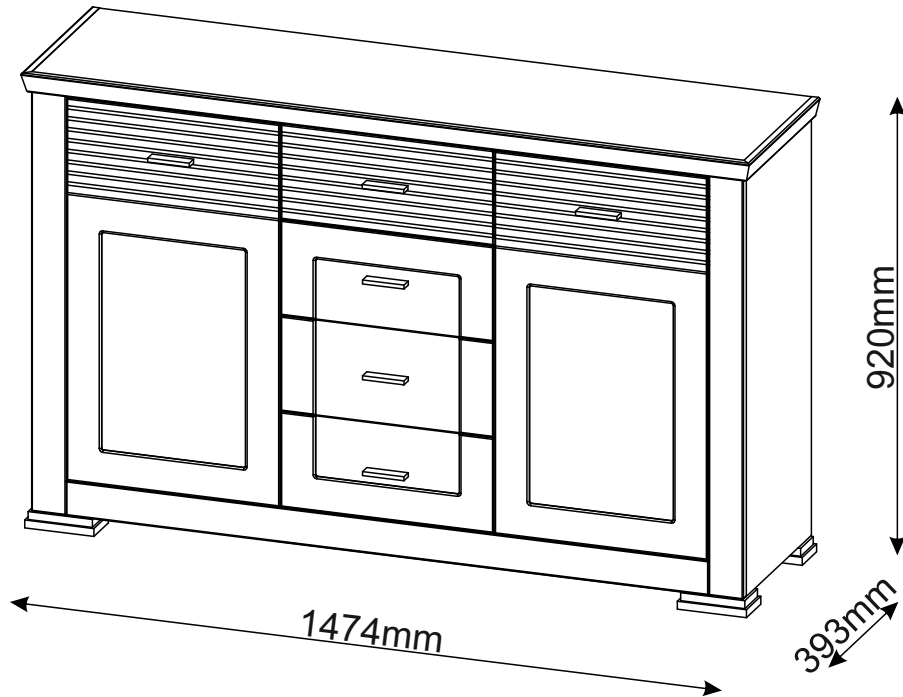
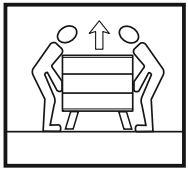
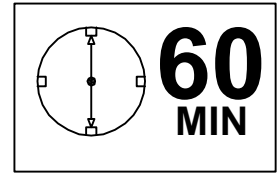
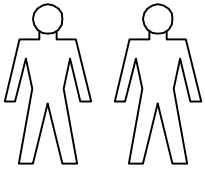



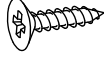
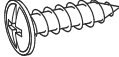
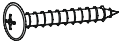
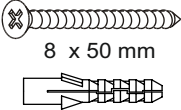

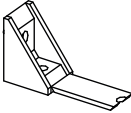

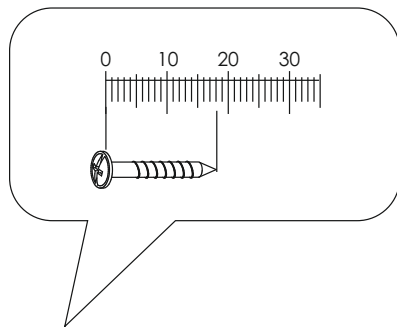


Agnes Chest 2D/4Dr




Agnes Chest 2D/4Dr

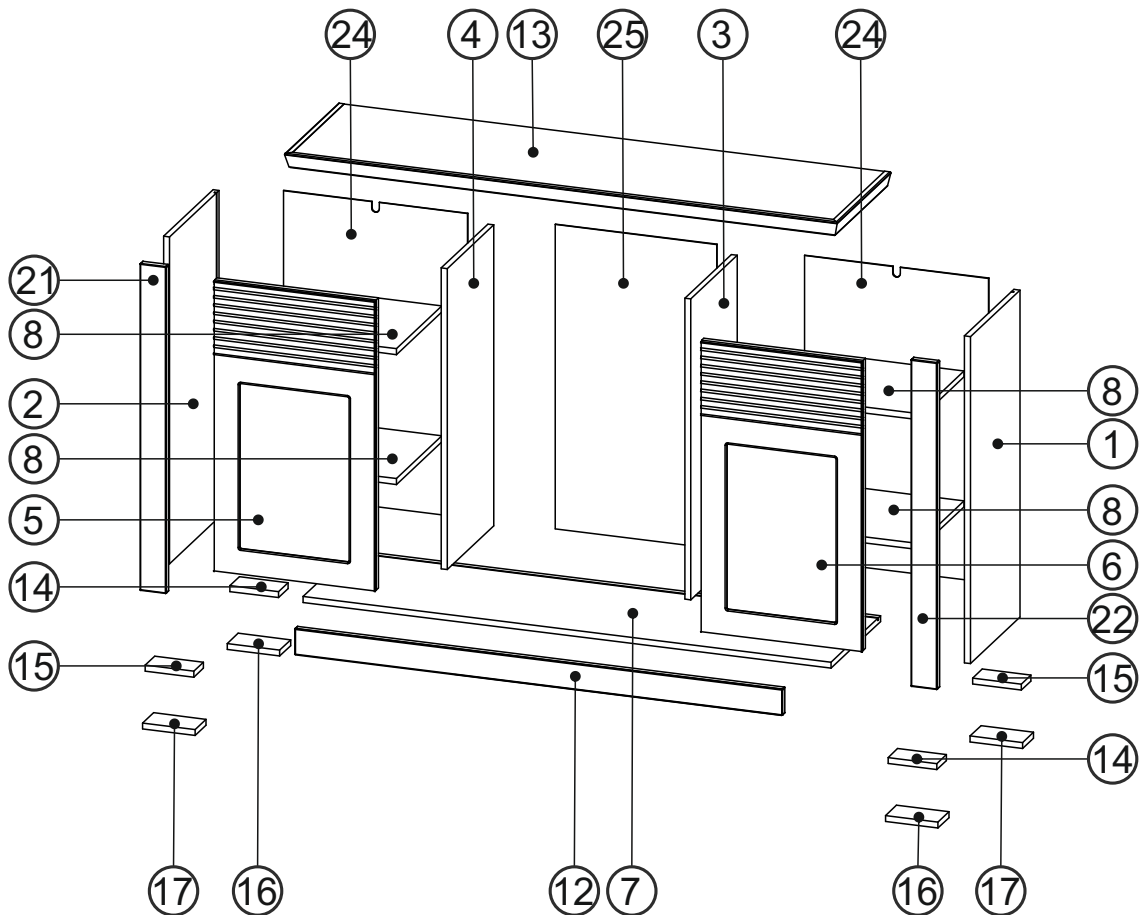
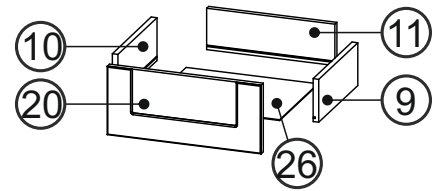
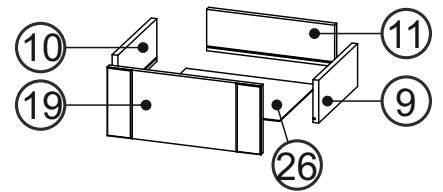
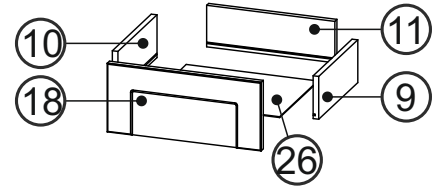
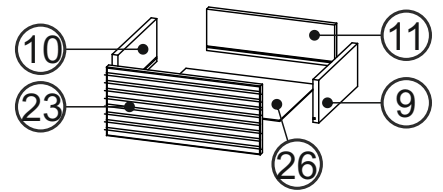
| | | |
|---|--|--|
| A0 8 x 30mm x20  | B0  x16 | B1 6.4x 50 mm x20  |
| B2 7 x 70 mm x4  | C0  x16 | C1 16mm  x20 |
| C2 x20  | D0 3 x 15 mm x50  | D10 4 x 16 mm x8  |
| D17  3,5 x 16 mm x46 | D18  4.2 x 30 mm x16 | D20 5 x 13 mm x40  |
| E4 5 x 50 mm 8 x 50 mm  x2 | F0  x18 | F1  x9 |
| F2  x4 | F10  x6 | G8A  x4 |
| G8B  x4 | H0  x16 | I1  x2 |
| L35  x6 | N23 L-300  x4 | T8  x2 |
| | U0  x12 | U2  x8 |
| | | Z 4mm  x1 |




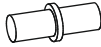
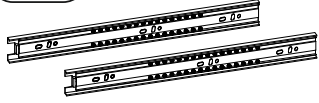


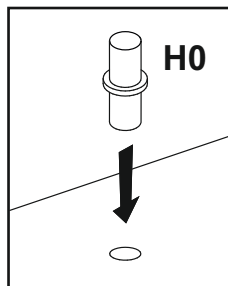
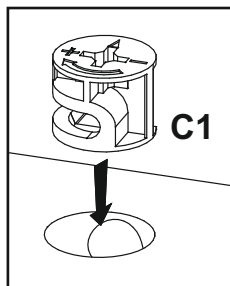
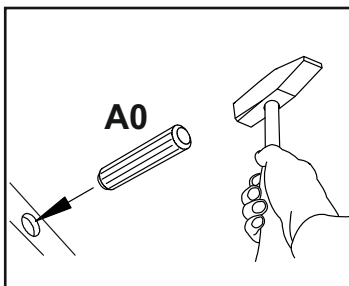
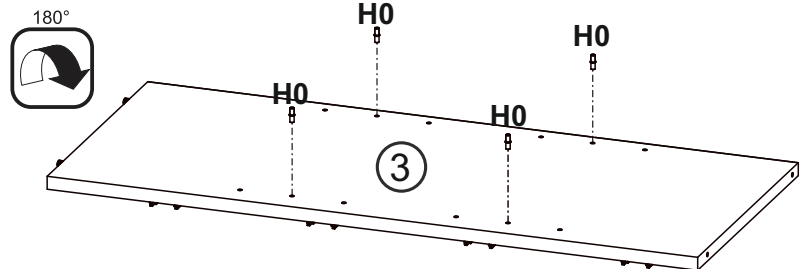
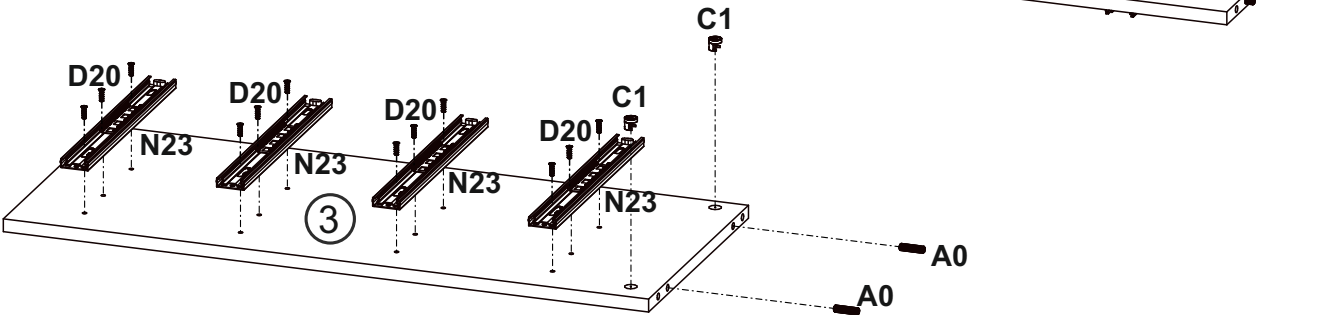
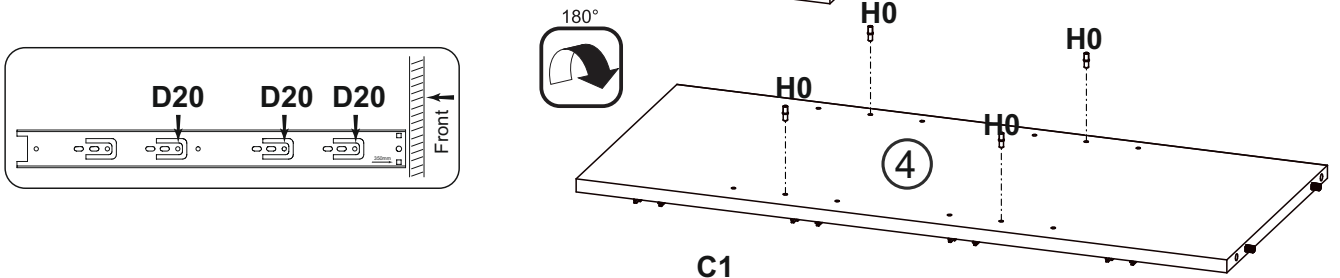
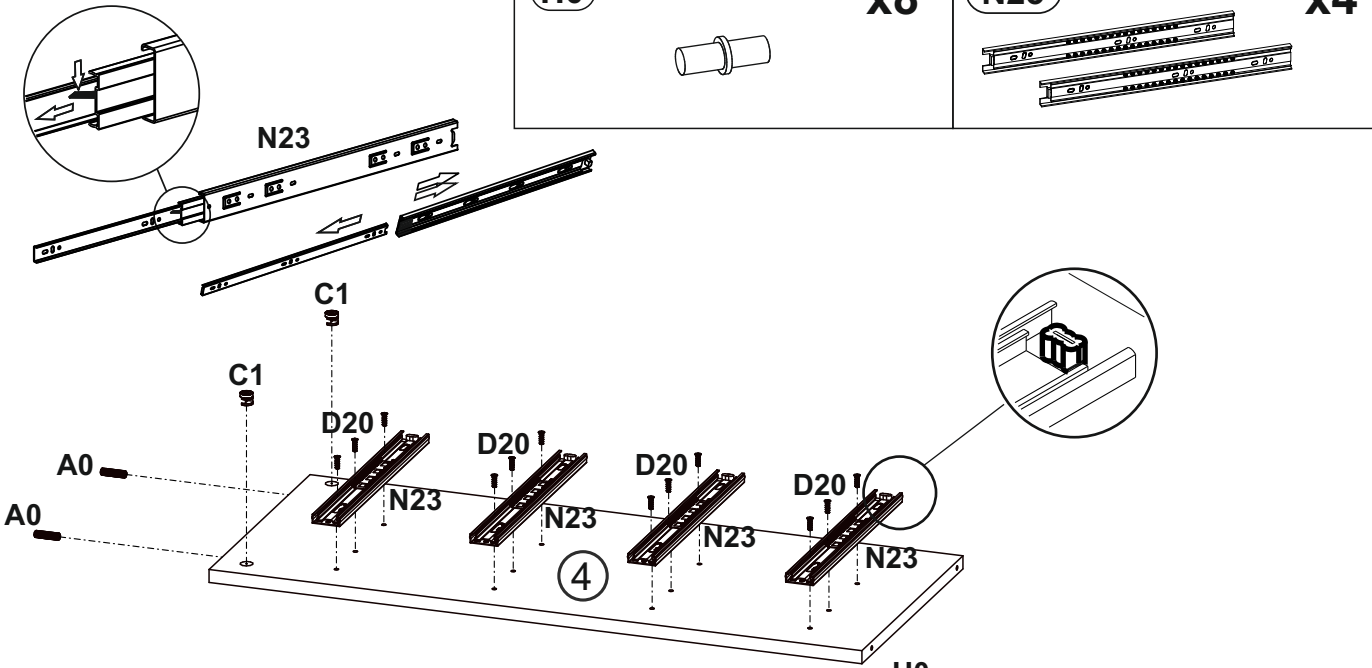
Agnes Chest 2D/4Dr

| | | | | | |
|---|-------|-------|----|----|-----|
| ① | 872 | 363 | 16 | x1 | 1/3 |
| ② | 872 | 363 | 16 | x1 | 1/3 |
| ③ | 802.5 | 341 | 16 | x1 | 1/3 |
| ④ | 802.5 | 341 | 16 | x1 | 1/3 |
| ⑤ | 774 | 431 | 16 | x1 | 1/3 |
| ⑥ | 774 | 431 | 16 | x1 | 1/3 |
| ⑦ | 1408 | 362.5 | 16 | x1 | 2/3 |
| ⑧ | 479 | 333 | 16 | x4 | 2/3 |
| ⑨ | 300 | 120 | 16 | x4 | 2/3 |
| ⑩ | 300 | 120 | 16 | x4 | 2/3 |
| ⑪ | 359 | 116 | 16 | x4 | 2/3 |
| ⑫ | 1301 | 70 | 18 | x1 | 2/3 |
| ⑬ | 1474 | 393 | 40 | x1 | 2/3 |
| ⑭ | 130 | 70 | 16 | x2 | 3/3 |


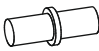
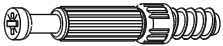
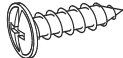
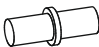

| | | | | | |
|--|-----|-----|----|----|-----|
| ⑮ | 130 | 70 | 16 | x2 | 3/3 |
| ⑯ | 140 | 80 | 16 | x2 | 3/3 |
| ⑰ | 140 | 80 | 16 | x2 | 3/3 |
| ⑱ | 192 | 431 | 16 | x1 | 3/3 |
| ⑲ | 192 | 431 | 16 | x1 | 2/3 |
| ⑳ | 192 | 431 | 16 | x1 | 2/3 |
| ㉑ | 848 | 70 | 18 | x1 | 2/3 |
| ㉒ | 848 | 70 | 18 | x1 | 2/3 |
| ㉓ | 192 | 431 | 18 | x1 | 2/3 |
| ㉔ | 812 | 491 | 3 | x2 | 2/3 |
| ㉕ | 812 | 431 | 3 | x1 | 2/3 |
| ㉖ | 369 | 294 | 3 | x4 | 2/3 |
|  | | | | | 1/3 |

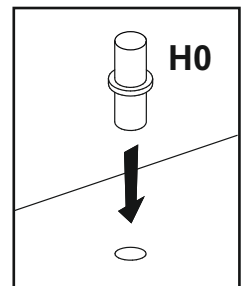
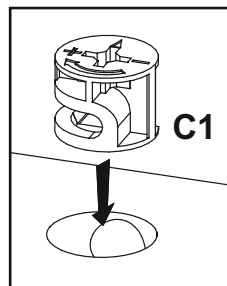
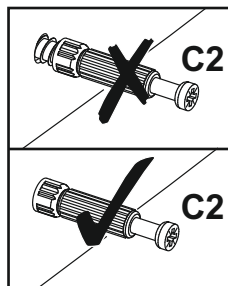
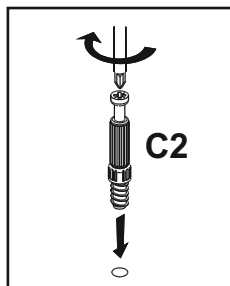
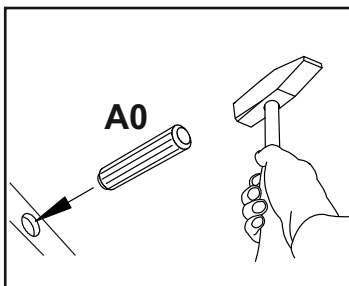
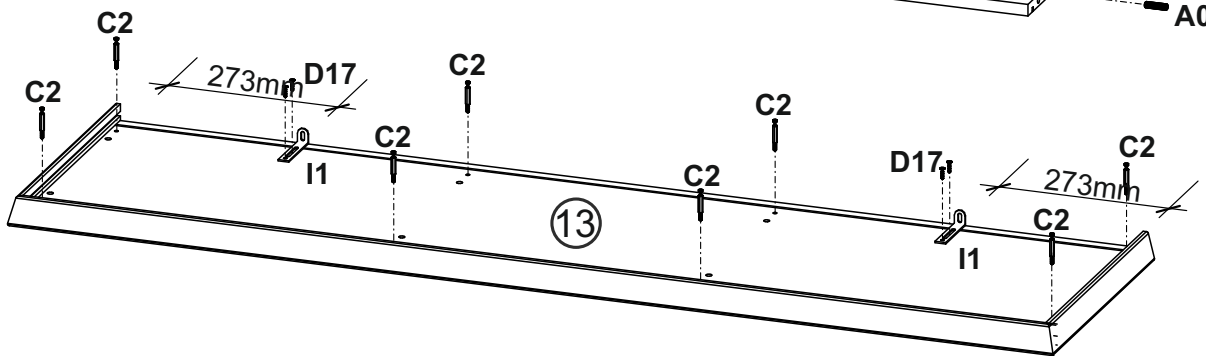
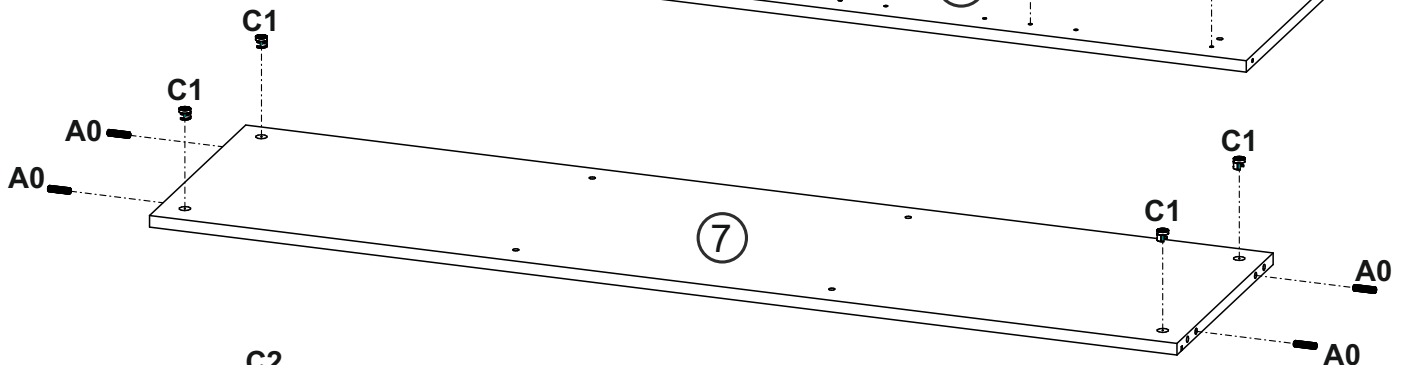
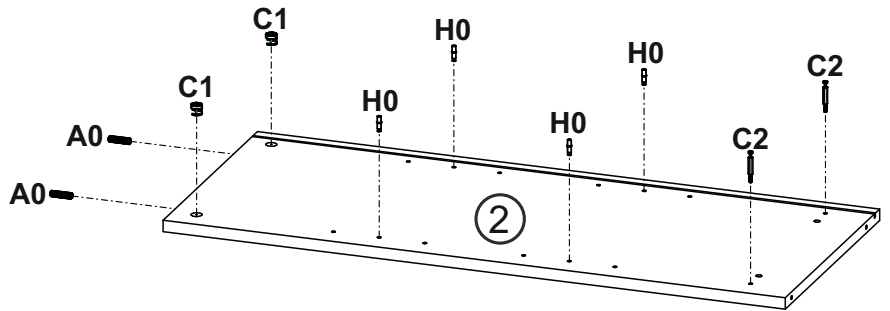
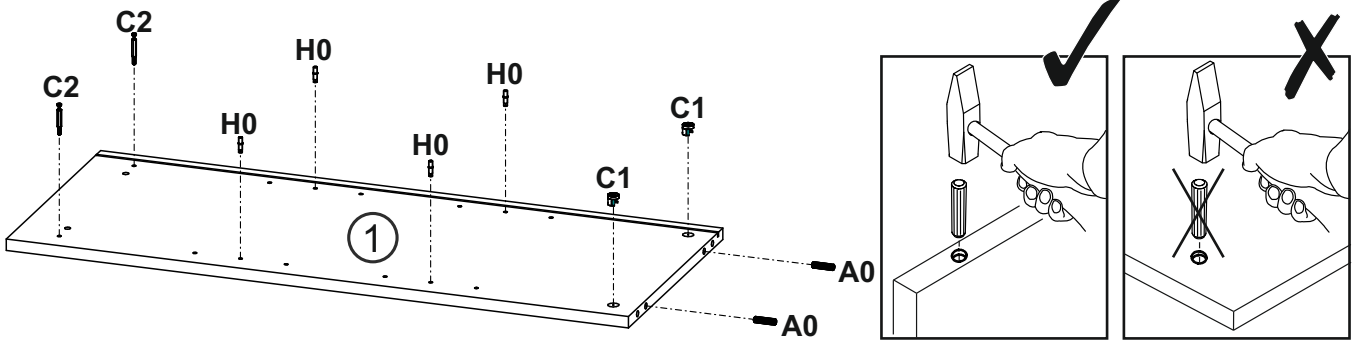


| | | | |
|----------|---|---|---|
| 1 | A0 8 x 30mm x4 | C1 16mm x4 | D20 5 x 13 mm x24 |
| |  |  |  |
| | H0 x8 | N23 L-300 x4 | |
| |  |  | |

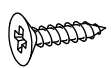
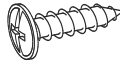

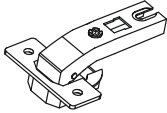
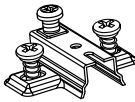


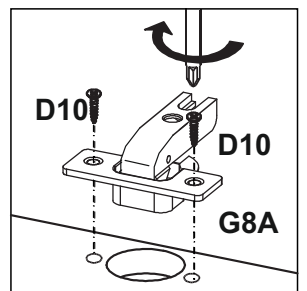
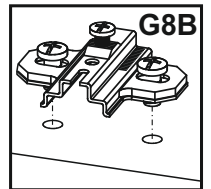
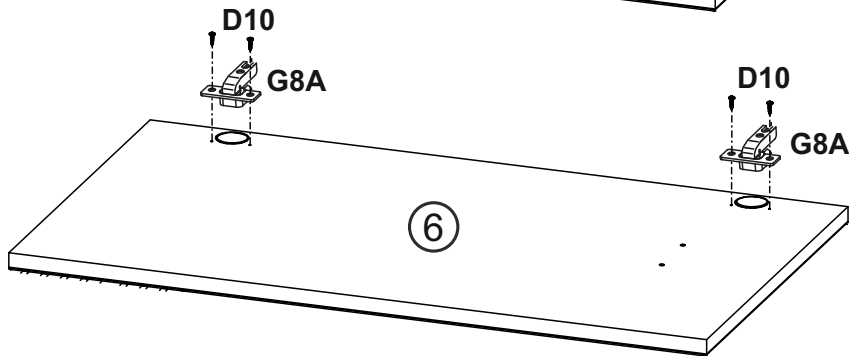
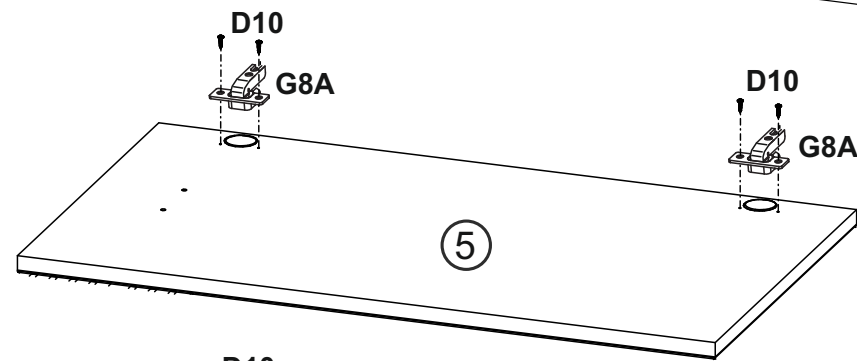
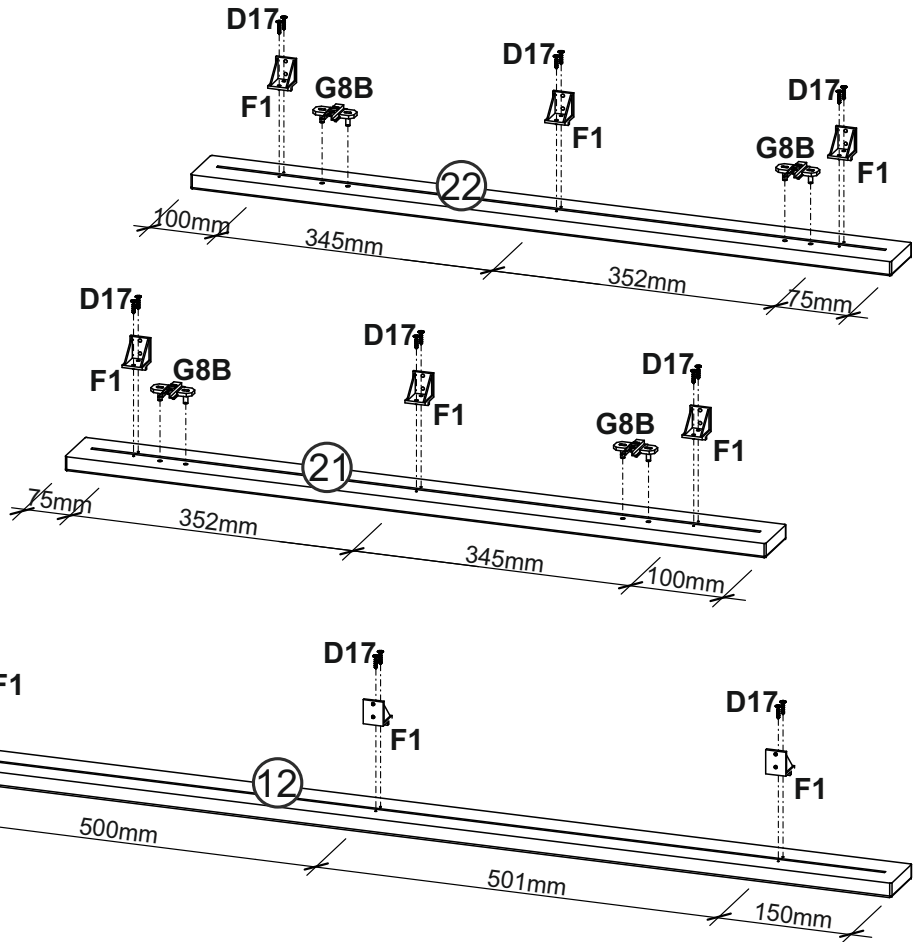
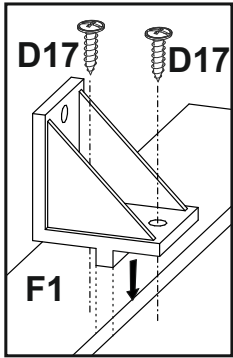
2

| | | | | | |
|--|-----------|--|-----------|--|------------|
| A0 8 x 30mm  | x8 | C1 16mm  | x8 | C2  | x12 |
| D17 3,5 x 16 mm  | x4 | H0  | x8 | I1  | x2 |

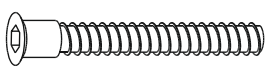

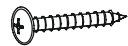
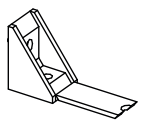

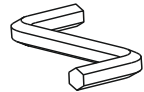


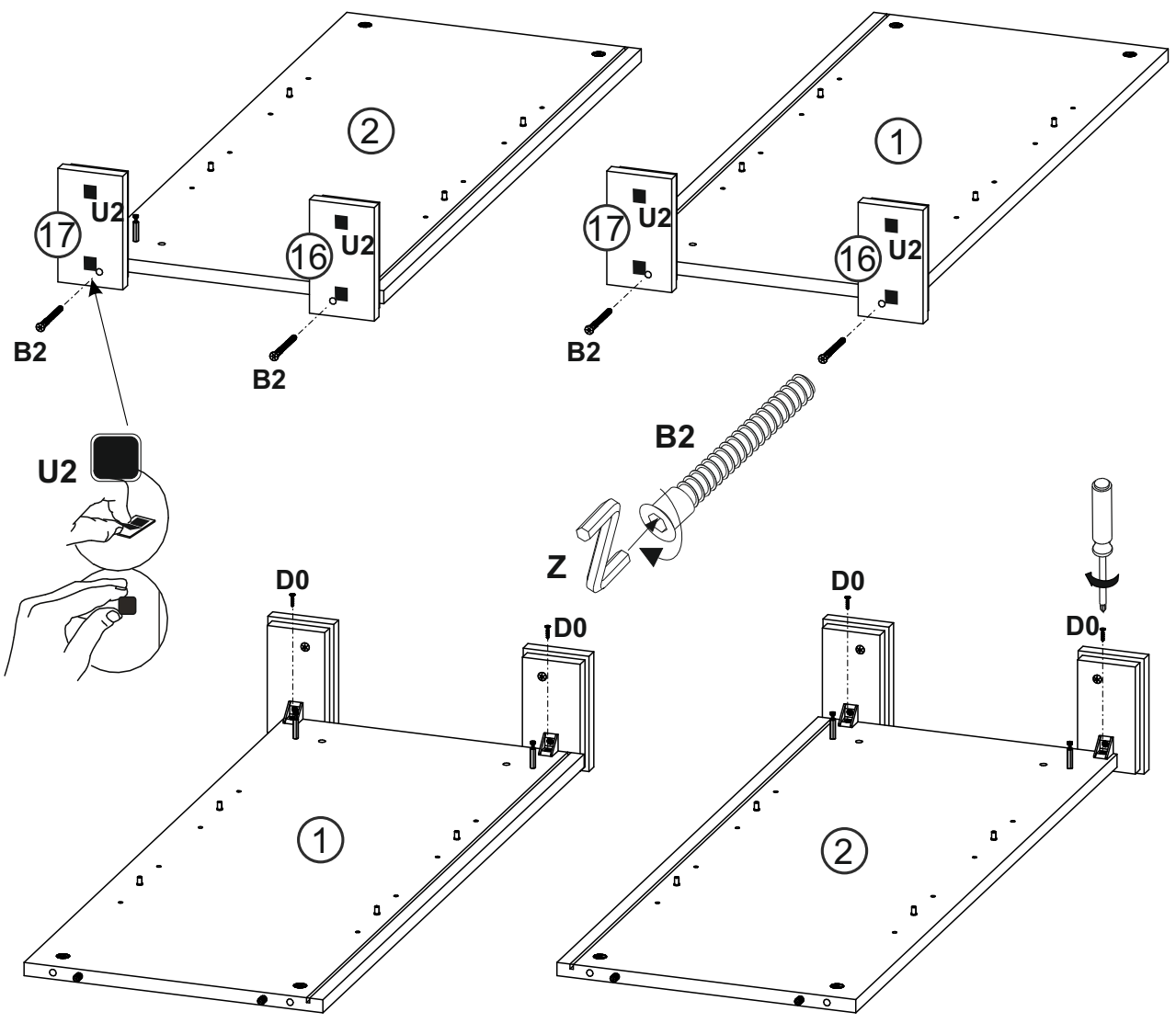
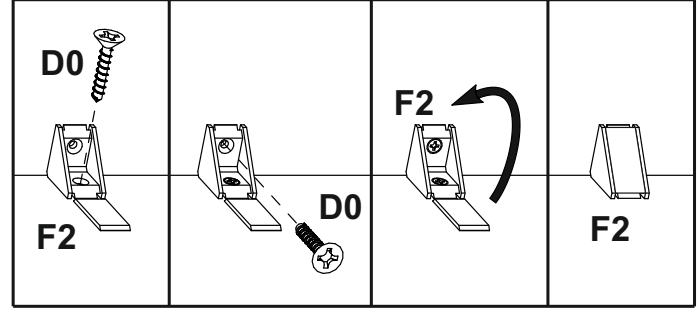
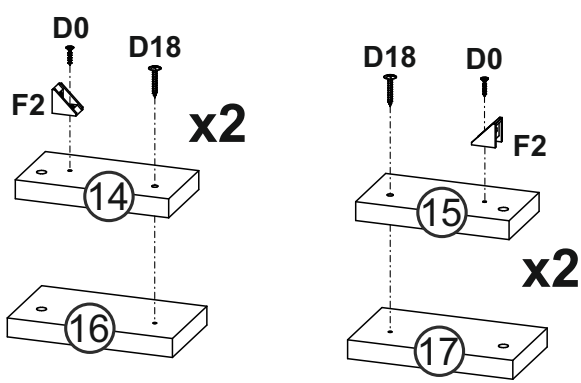
3

| | | |
|---|--|--|
| D10 4 x 16 mm x8  | D17 3,5 x 16 mm x18  | F1 x9  |
| G8A x4  | G8B x4  | |







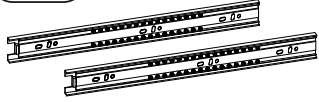


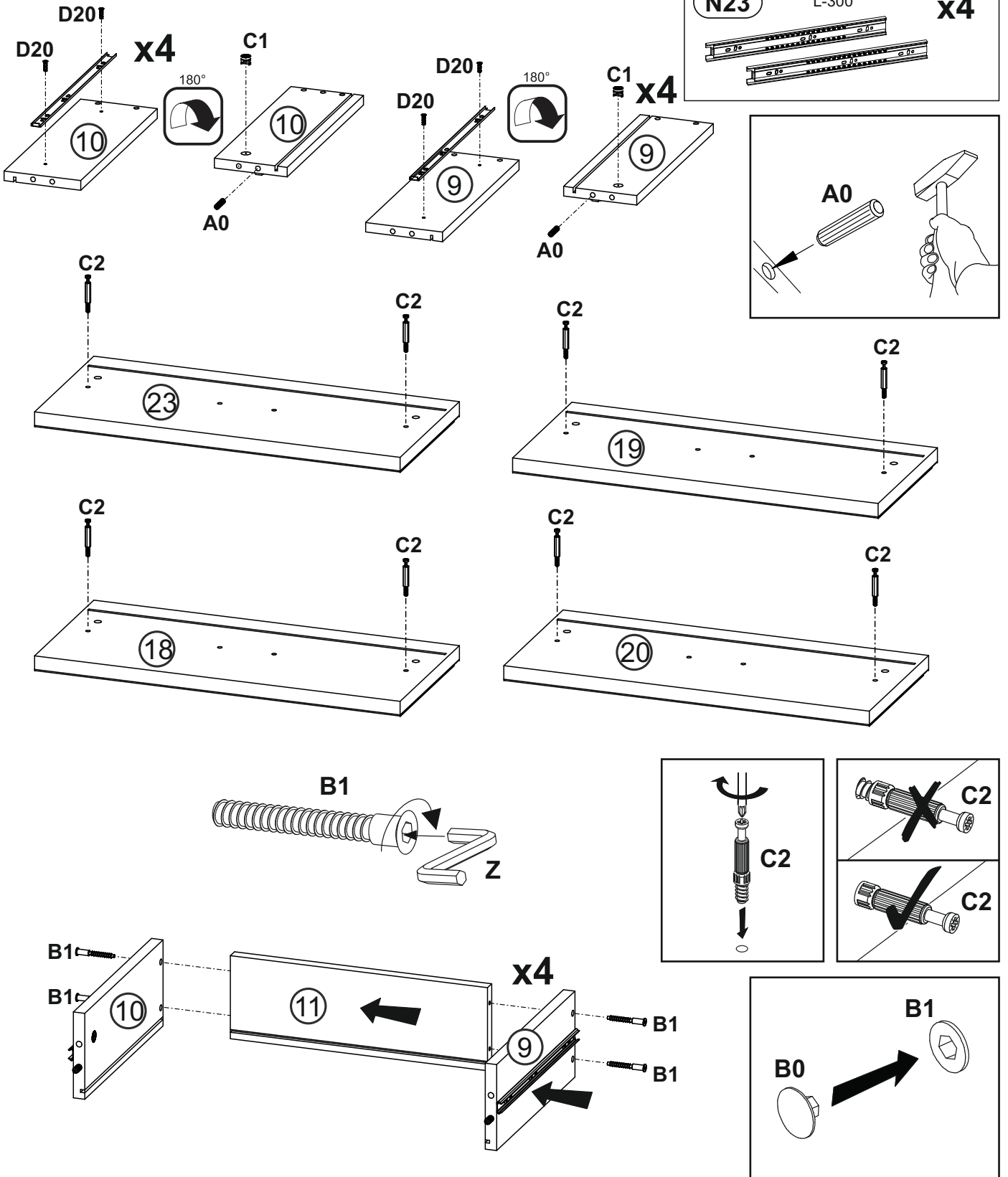
4

| | | |
|---|---|--|
| B2 7 x 70 mm  | D0 3 x 15 mm  | D18  4.2 x 30 mm |
| F2  | U2  | Z 4mm  |



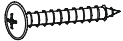
5

| | | |
|---|--|--|
| A0 8 x 30mm x8  | B0  x16 | B1 6.4x 50 mm x16  |
| C1  16mm x8 | C2  x8 | D20 5 x 13 mm x16  |
| | | N23 L-300 x4  |



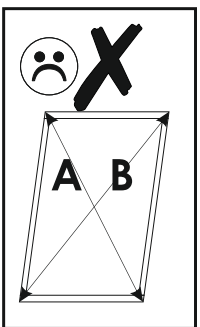
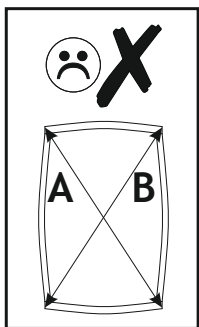
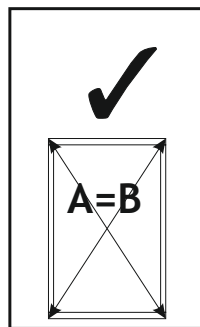
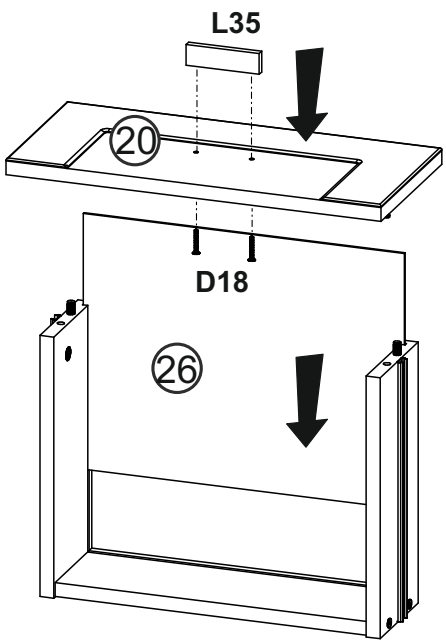
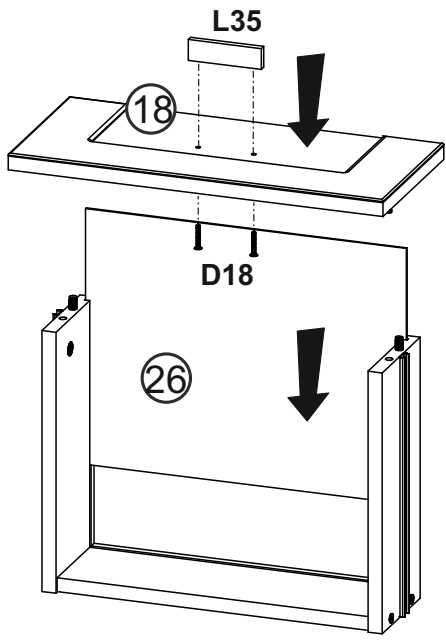
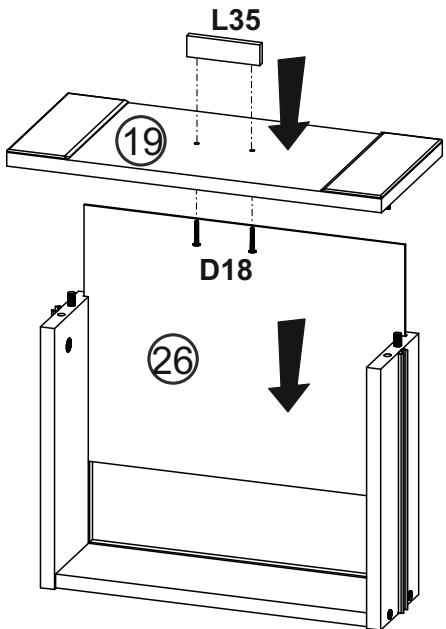
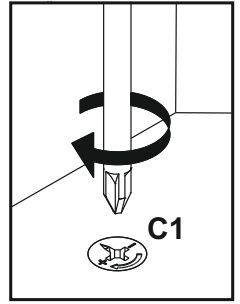
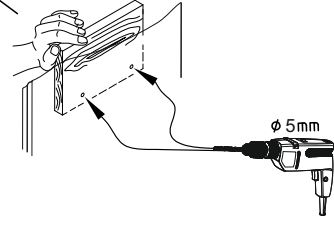
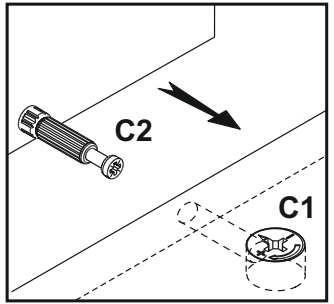
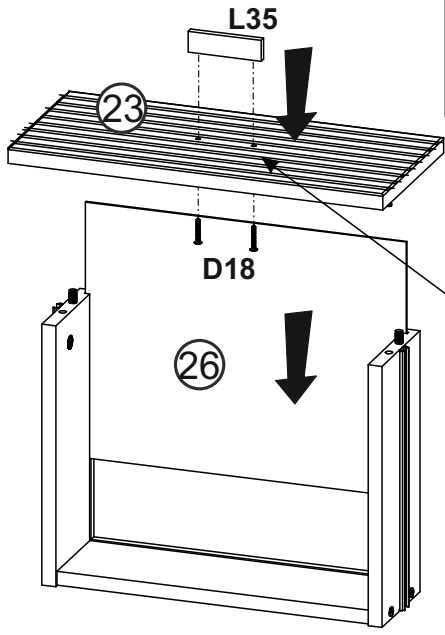
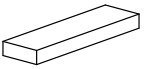
6

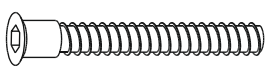

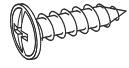
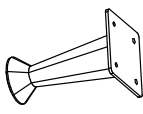
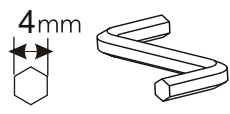
D18 **x8**

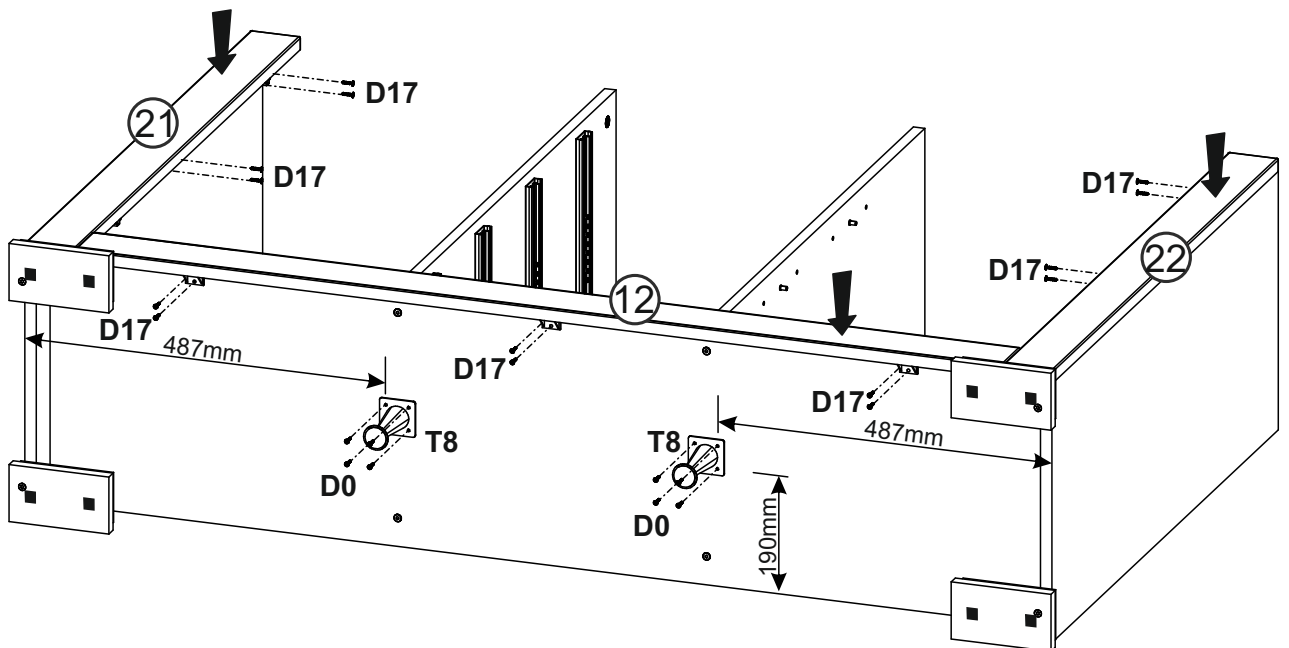
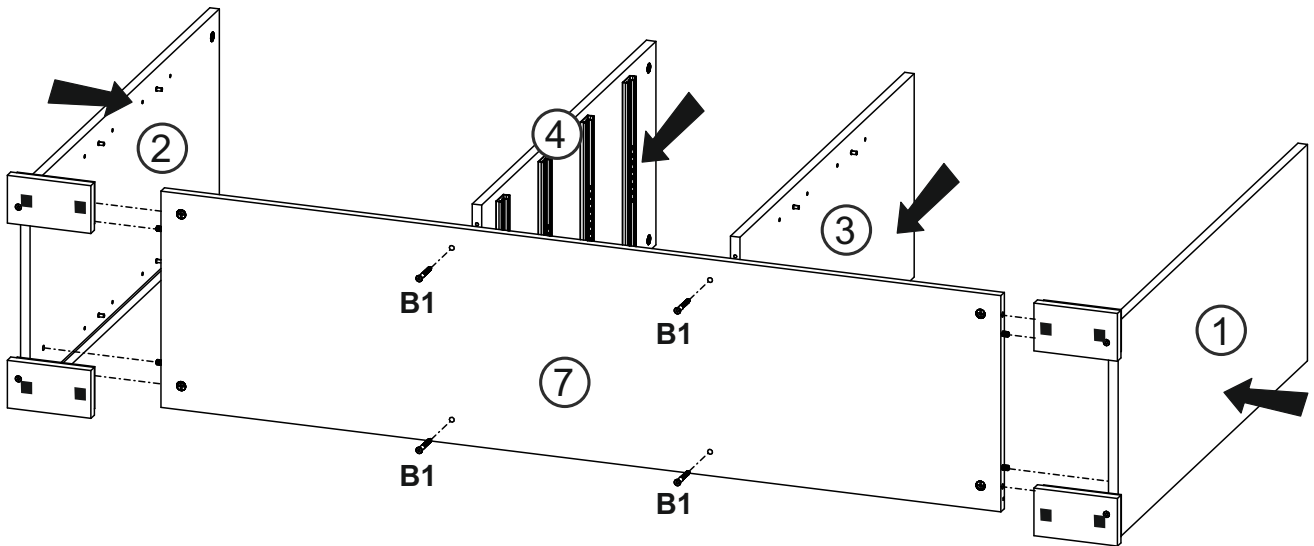
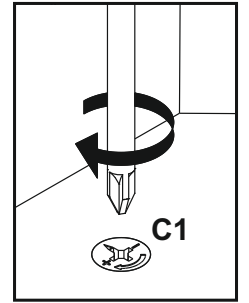
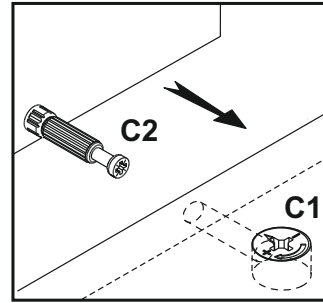
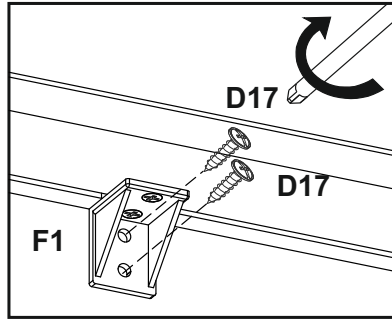


4.2 x 30 mm

L35 **x4**



| | | |
|--|--|--|
| 7 (B1) 6.4x 50 mm x4  | (D0) 3 x 15 mm x8  | (D17) 3,5 x 16 mm x18  |
| (T8) x2  | | (Z) 4mm x1  |



8

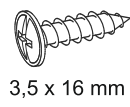
D0

3 x 15 mm

x18



D17



x6

F0

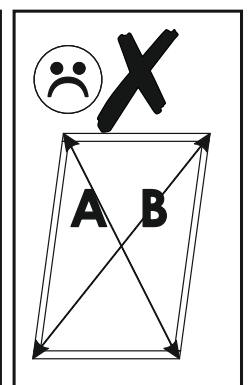
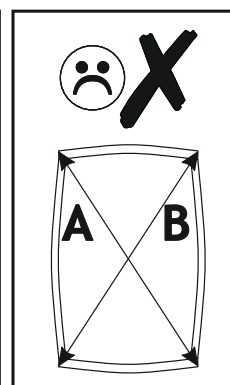
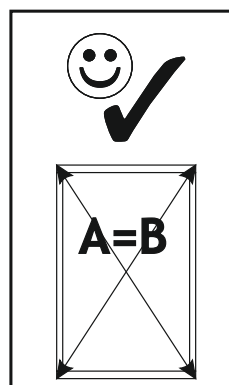
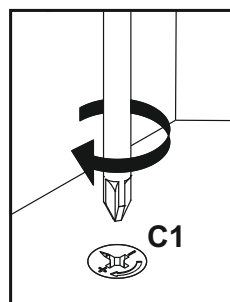
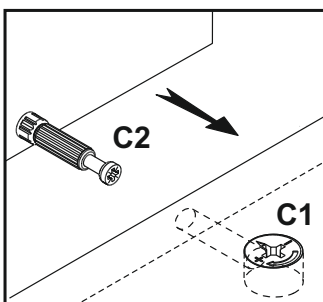
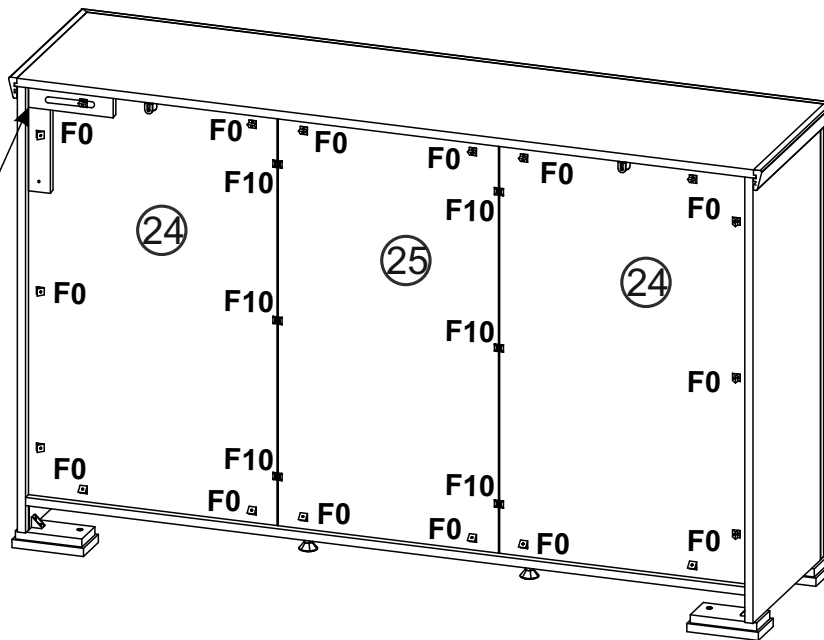
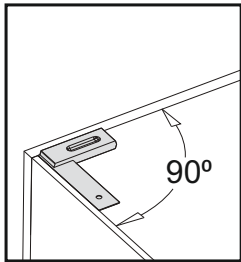
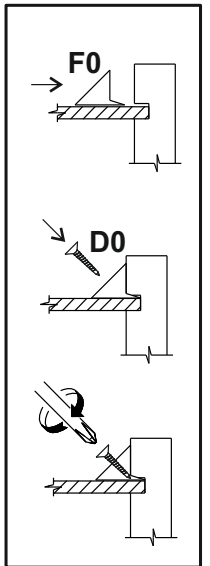
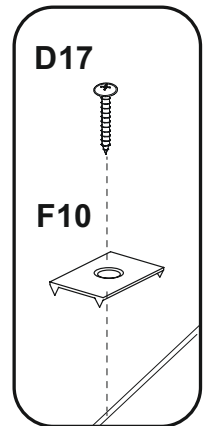
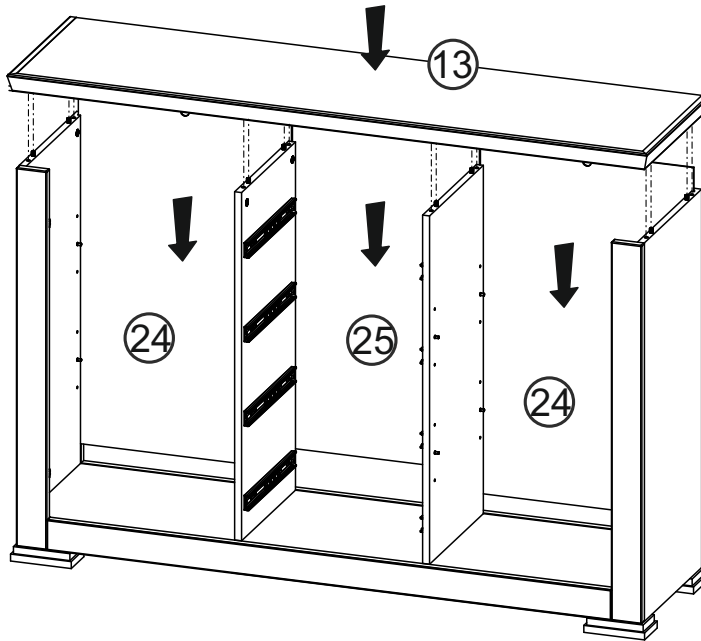


x18

F10



x6



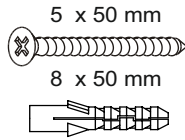
9

C0

x8



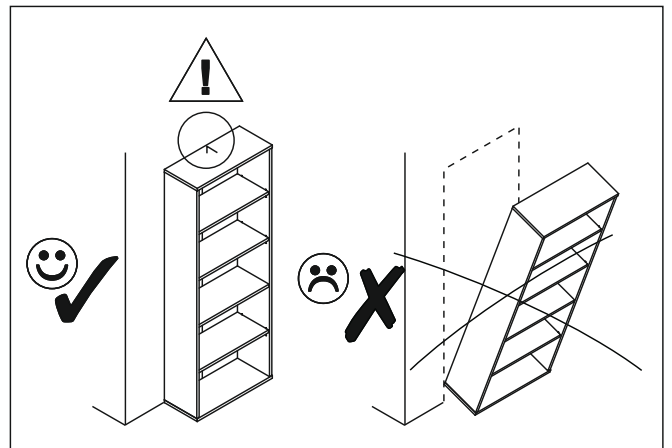
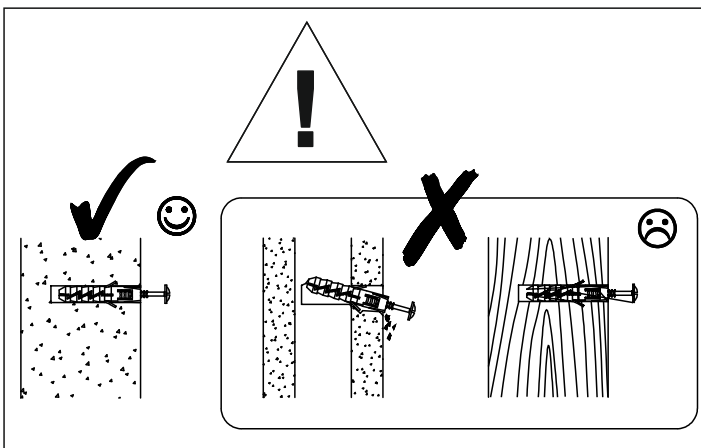
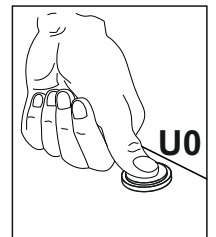
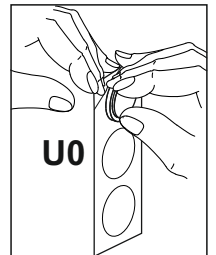
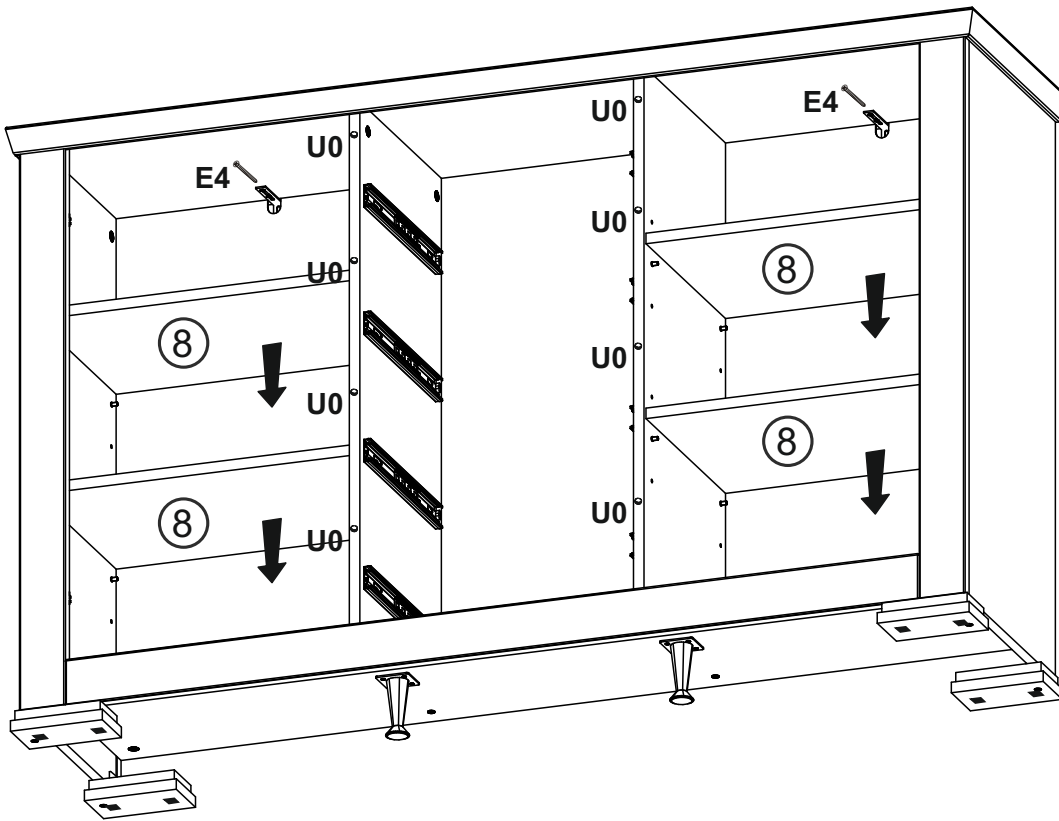
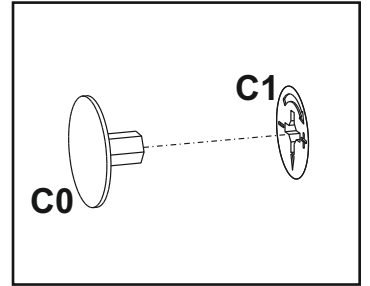
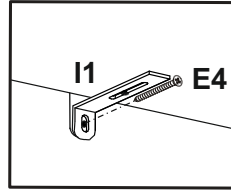
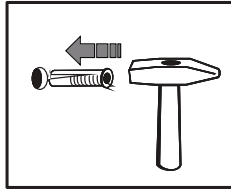
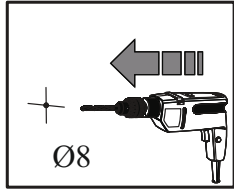
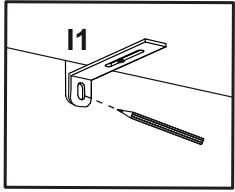
E4



x2

U0

x8



10

C0



x8

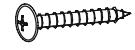
D0

3 x 15 mm



x16

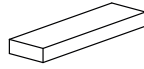
D18



4.2 x 30 mm

x4

L35



x2

U0



x4

